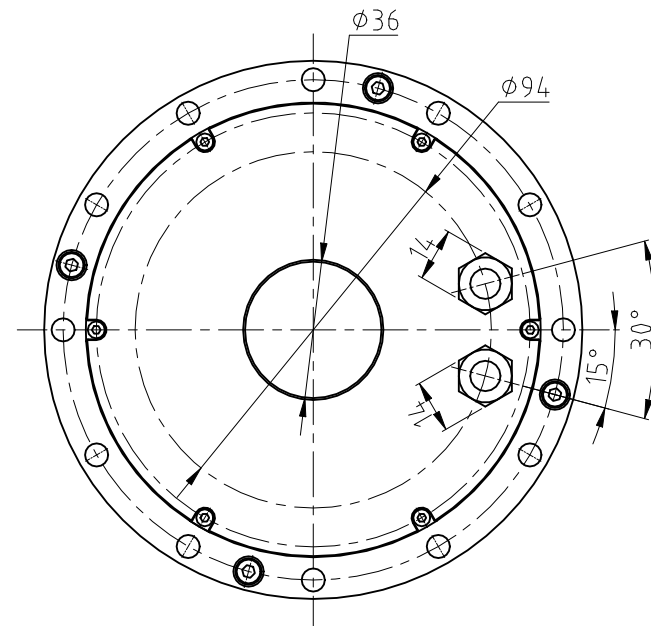
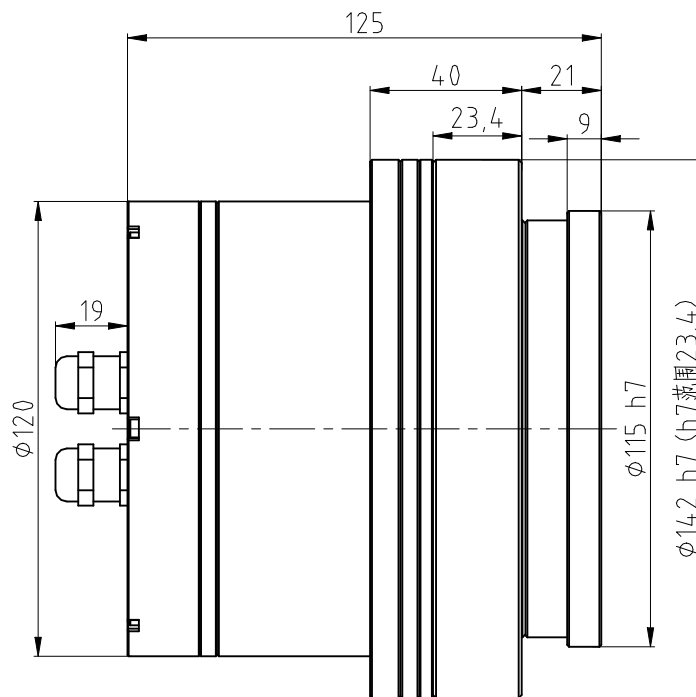
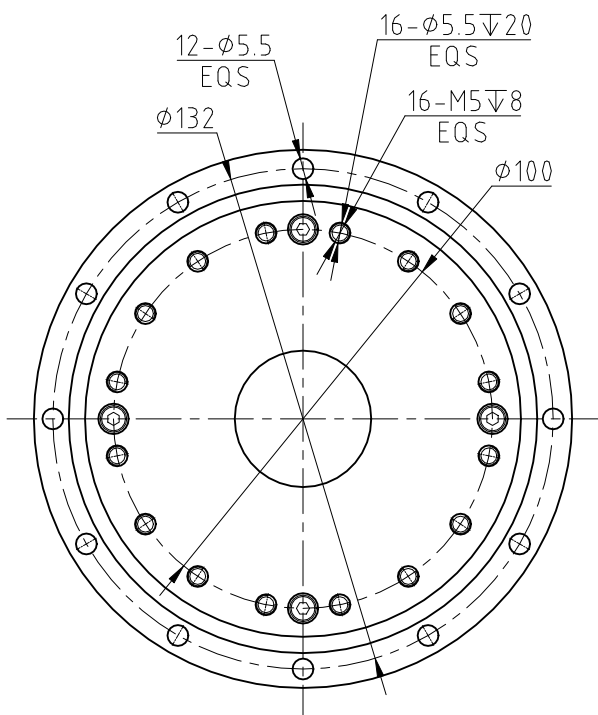




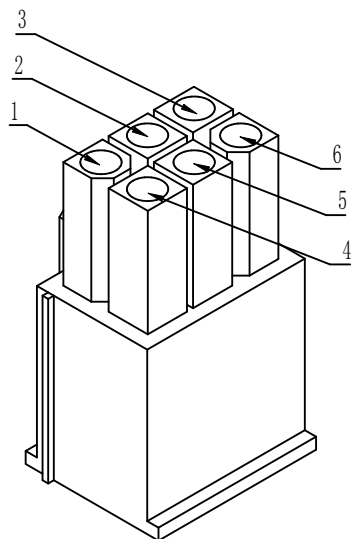
Sign



				Joint Module			M142-B-XXX-BF-C00	
							GJ-DW-ME-0078	
标记	处数	更改内容	签字	日期	客户图样标记	重量(kg)	比例	 浙江来福谐波传动股份有限公司
设计							1:1	
审核								
批准								
工艺会签								
		版本号	A0		共 2 页	第 1 页		

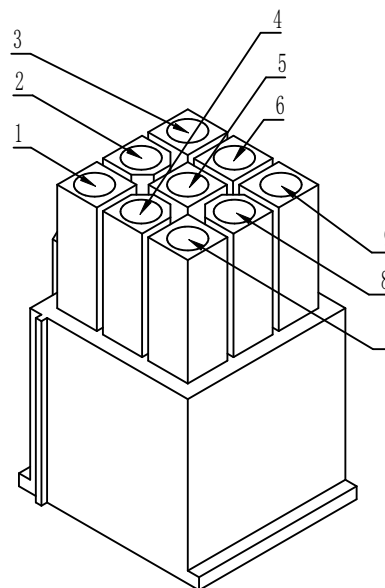
Motor Parameter	
Voltage	AC220V
Rated Power	1000W
Rated Speed	3000rpm
Max Speed	5000rpm
Motor Phase Resistance	0.46 Ohms
Motor Phase Inductance	2.5mH
Back EMF	42.1Vrms/krpm
Number of Pole Pairs	8

Sign



Power Connector:

Module-side connector housing: HX41405-6P
 Module-side connector terminals: HX41406-6R / RT Customer-side connector housing: HX41406-6R
 Customer-side connector terminals: HX41406-6P / PT



Encoder Connector:

Module-side connector housing: HX41405-9P
 Module-side connector terminals: HX41406-9R / RT Customer-side connector housing: HX41406-9R
 Customer-side connector terminals: HX41406-9P / PT

Housing 1: Power Connector		
Pin No.	Signal Name	Note
1	U	
2	V	
3	W	
4	GND	
5	Brake+	
6	Brake-	

Housing 2: Encoder Connector		
Pin No.	Signal Name	Note
1	SL1+	Communication+
2	GND	Ground
3	Vcc	Power
4	MA1+	Clock+
5	MA1-	Clock-
6	SL1-	Communication-
7	PG	Shielding
8	Battery-	
9	Battery +	

Technical Requirements:

- The module power cable and signal cable shall have a lead length of 300 mm each.
- Insulation resistance (DC 500V) \geq 500 M Ω ; dielectric withstand voltage: AC 1500V for 1 minute.
- Encoder type: Absolute encoder; Encoder protocol: BiSS-C; Encoder resolution: 16-bit multi-turn, 17-bit single-turn.
- The appearance shall be free from visible defects such as burrs, scratches, dents, or damage.
- Standard version:
Storage temperature: -20°C to 80°C Operating temperature: -10°C to 55°C
- Special version:
Storage temperature: -40°C to 80°C Operating temperature: -30°C to 55°C
- Protection class: IP66.
- Positioning accuracy (unidirectional): 60 arcsec; Repeatability: 20 arcsec.

Joint Module Parameter										Joint Module			M142-B-XXX-BF-C00							
Ratio	Per. Max Value for Ave. Load torque (Nm)	Permissible peak torque at start/stop (Nm)	Instantaneous Permissible max.torque(Nm)	Rated Speed (rpm)	Max Speed (rpm)	Rated Current (A)	Max Current (A)	Tq Constant (Nm/Arms)	Inertia Moment (kg·mm ²)	Weight (kg)	标记处数	更改内容	签字	日期	客户图样标记	重量(kg)	比例	GJ-DW-ME-0078		
51	140	281	497	58.8	94.1	5.45	10.94	25.69	702	5.64	设计							1:1	Laitual Drive 浙江来福谐波传动股份有限公司	
81	217	395	738	37	59.3	5.32	9.68	40.80		With brake	审核									
101	281	433	841	29.7	47.5	5.52	8.51	50.87		Without brake	批准									
121	281	459	892	24.8	39.7	4.61	7.53	60.95			工艺会签									
										版本号 A0			共 2 页			第 2 页				