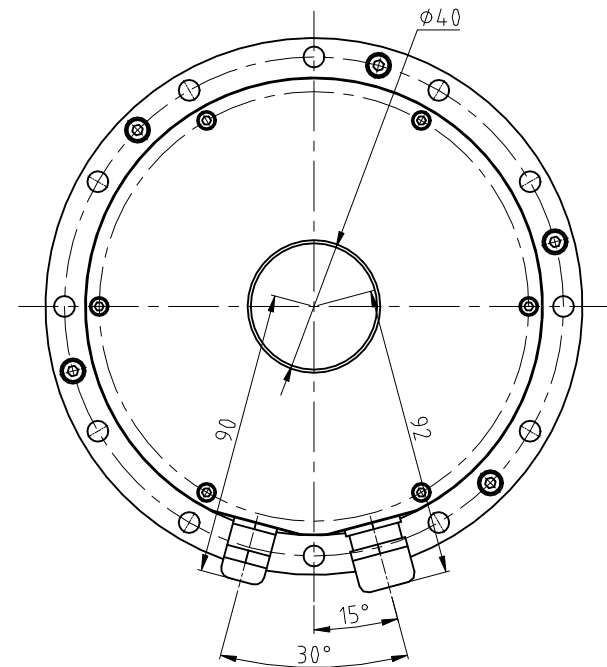
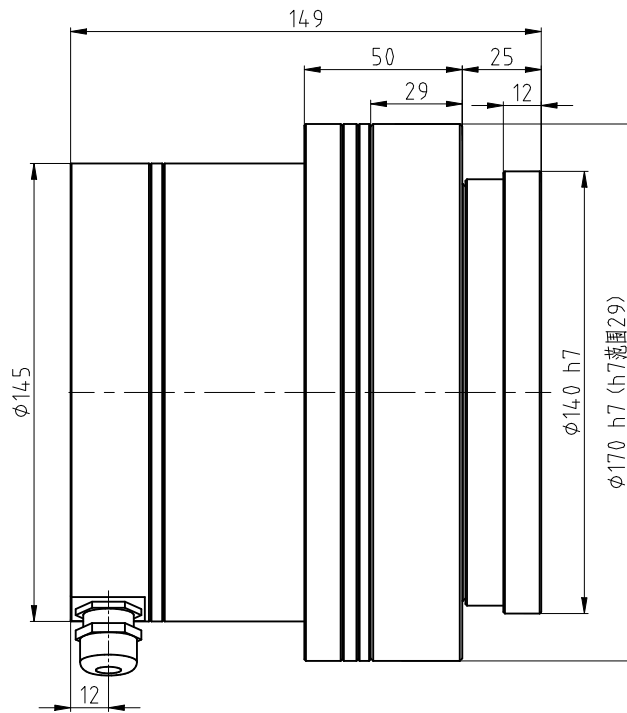
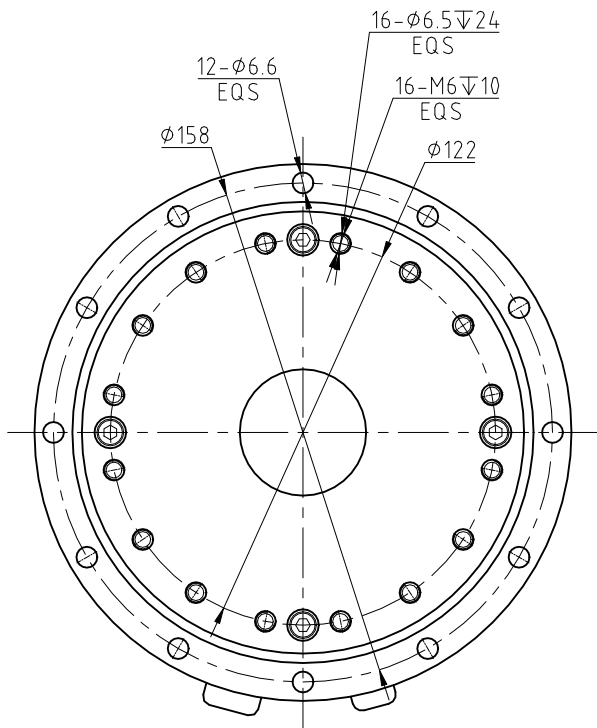


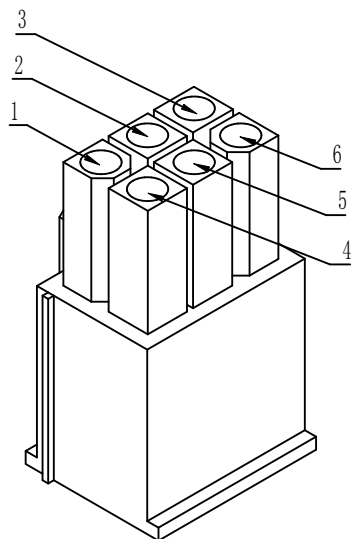
Sign



				Joint Module			M170-B-XXX-BS-C00	
							GJ-DW-ME-0084	
标记	处数	更改内容	签字	日期	客户图样标记	重量(kg)	比例	Laitval Drive 浙江来福谐波传动股份有限公司
设计							1:1	
审核								
批准								
工艺会签								
		版本号	A5		共 2 页	第 1 页		

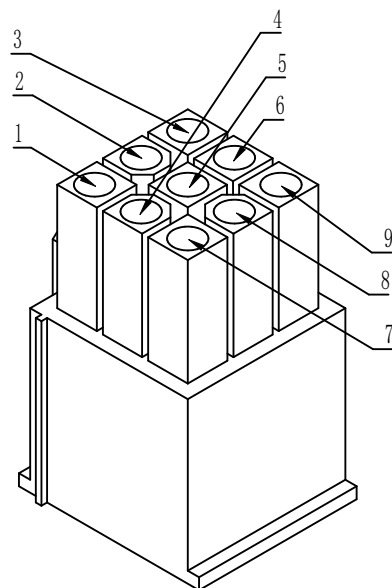
Motor Parameter	
Voltage	AC220V
Rated Power	1500W
Rated Speed	2000rpm
Max Speed	4000rpm
Motor Phase Resistance	0.3 Ohms
Motor Phase Inductance	0.98mH
Back EMF	46.5Vrms/krpm
Number of Pole Pairs	10

Sign



Power Connector:

Module-side connector housing: HX41405-6P  
 Module-side connector terminals: HX41406-6R / RT Customer-side connector housing: HX41406-6R  
 Customer-side connector terminals: HX41406-6P / PT



Encoder Connector:

Module-side connector housing: HX41405-9P  
 Module-side connector terminals: HX41406-9R / RT Customer-side connector housing: HX41406-9R  
 Customer-side connector terminals: HX41406-9P / PT

Technical Requirements:

- The module power cable and signal cable shall have a lead length of 300 mm each.
- Insulation resistance (DC 500V)  $\geq$  500 M $\Omega$ ; dielectric withstand voltage: AC 1500V for 1 minute.
- Encoder type: Absolute encoder; Encoder protocol: BiSS-C; Encoder resolution: 16-bit multi-turn, 17-bit single-turn.
- The appearance shall be free from visible defects such as burrs, scratches, dents, or damage.
- Standard version:  
Storage temperature: -20°C to 80°C Operating temperature: -10°C to 55°C
- Special version:  
Storage temperature: -40°C to 80°C Operating temperature: -30°C to 55°C
- Protection class: IP66.
- Positioning accuracy (unidirectional): 60 arcsec; Repeatability: 20 arcsec.

Housing 1: Power Connector		
Pin No.	Signal Name	Note
1	U	
2	V	
3	W	
4	GND	
5	Brake+	
6	Brake-	

Housing 2: Encoder Connector		
Pin No.	Signal Name	Note
1	SL1+	Communication+
2	GND	Ground
3	Vcc	Power
4	MA1+	Clock+
5	MA1-	Clock-
6	SL1-	Communication-
7	PG	Shielding
8	Battery-	
9	Battery +	

Joint Module Parameter											Joint Module			M170-B-XXX-BS-C00	
Ratio	Per. Max Value for Ave. Load torque (Nm)	Permissible peak torque at start/stop (Nm)	Instantaneous Permissible max.torque(Nm)	Rated Speed (rpm)	Max Speed (rpm)	Rated Current (A)	Max Current (A)	Tq Constant (Nm/Arms)	Inertia Moment (kg·mm <sup>2</sup> )	Weight (kg)				客户图样标记	重量(kg)
51	255	523	892	39.2	78.4	10.39	21.31	24.54	2122	9.76	设计	共 2 页	第 2 页		
81	369	675	1270	24.7	49.4	9.47	17.32	38.98		with brake	更改内容				
101	484	738	1400	19.8	39.6	9.96	15.18	48.61		9.35	签字				
121	586	802	1530	16.5	33.1	10.06	13.77	58.23		Without brake	日期				
											版本号	A5	浙江来福谐波传动股份有限公司		

